



Proudly Distributed By

TRIDENT AUSTRALIA
FLUID SYSTEMS & COMPONENTS

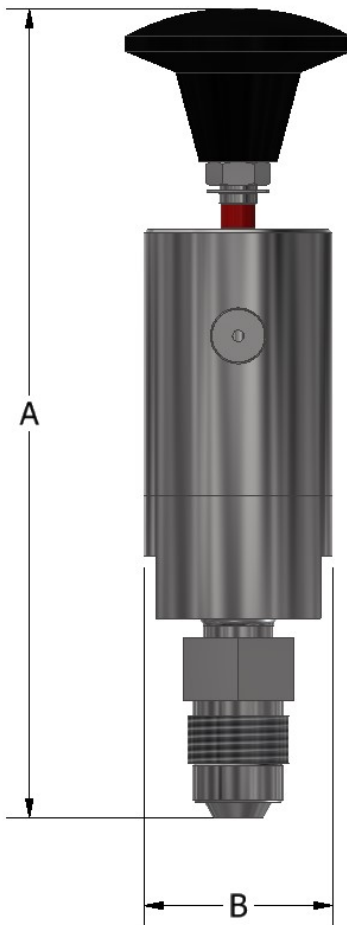
OPERATION

The Ruelco Model 15,000 PSI Pneumatic Sand Probe Relay uses a thin wall steel probe installed directly in a flowline to detect and indicate that excessive erosion or corrosion has occurred. It utilizes a reliable normally closed block-and-bleed 3-way valve that will vent an instrumentation signal and provide visual indication that the probe has lost pressure integrity. This alerts field personnel that inspection of the flowline and possible repair may be required.

FEATURES

- 316 stainless steel construction meets severe service demands (models to N.A.C.E MR0175 available)
- Will operate with flowline pressures as low as 100 psi
- Fluorocarbon O-rings are utilized for dependability
- Red band on shaft provides visual indication that sand probe relay has operated
- Knob provided for manually testing

15,000 PSI PNEUMATIC SAND PROBE RELAY



DIMENSIONS

A	6.37" (161.8 mm)
B	1.50" (38.1 mm)
PROCESS CONNECTION PORT	9/16" MP CONE
PNEUMATIC PORTS	1/4" NPT

SPECIFICATIONS

INSTRUMENT MAXIMUM WORKING PRESSURE	150 PSI (10.3 BAR)
RELAY OPERATION RANGE (BASED ON PROBE)	300 PSI (20.7 BAR) MINIMUM 15,000 PSI (1035 BAR) MAXIMUM
AMBIENT TEMPERATURE RANGE	-20° TO 250° F -29° TO 122° C
Cv FACTOR	.34

PHONE: 504-340-0055
FAX: 504-340-0056
EMAIL: SALES@RUELCO.COM

1209 DISTRIBUTORS ROW
NEW ORLEANS, LA 70123



Proudly Distributed By

TRIDENT AUSTRALIA
FLUID SYSTEMS & COMPONENTS

PARTS LIST

ITEM	QUANTITY	DESCRIPTION	MATERIAL
1A	1	BLACK KNOB	PHENOLIC
1B	-	RED KNOB	PHENOLIC
1C	-	GREEN KNOB	PHENOLIC
2	1	LOCK NUT	316 ST. STL.
3*	1	SNAP RING	316 ST. STL.
4*	1	SHAFT O-RING	FLUOROCARBON
5	1	SHAFT	316 ST. STL.
6	1	VALVE BODY	316 ST. STL.
7	1	PISTON	17-4 ST. STL.
8	1	SLEEVE	17-4 ST. STL.
9	1	HIGH PRESSURE BASE	17-4 ST. STL.
10*	1	PISTON SEAL	FLUOROCARBON
11*	1	BACKUP SEAL	TEFLON
12	1	GLAND NUT	316 ST. STL.
13	1	COLLAR	316 ST. STL.

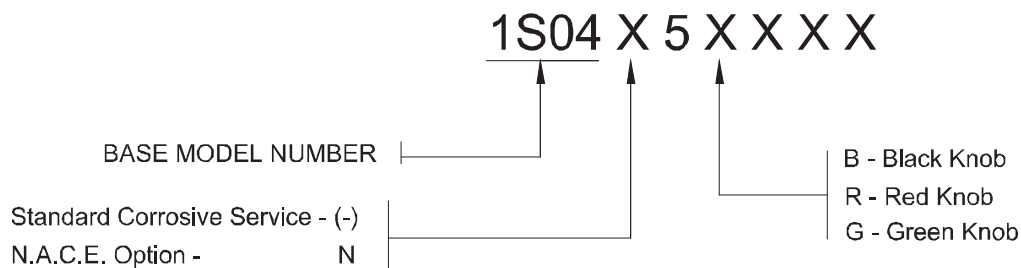
* INDICATES ITEMS IN THE REPAIR KIT

REPAIR KIT

- 1S-014-000

OTHER TEMPERATURE RANGES AND SEAL COMPOUNDS AVAILABLE UPON REQUEST

ORDERING CODE



15,0000 PSI PNEUMATIC SAND PROBE

PHONE: 504-340-0055
FAX: 504-340-0056
EMAIL: SALES@RUELCO.COM

1209 DISTRIBUTORS ROW
NEW ORLEANS, LA 70123



OPERATION

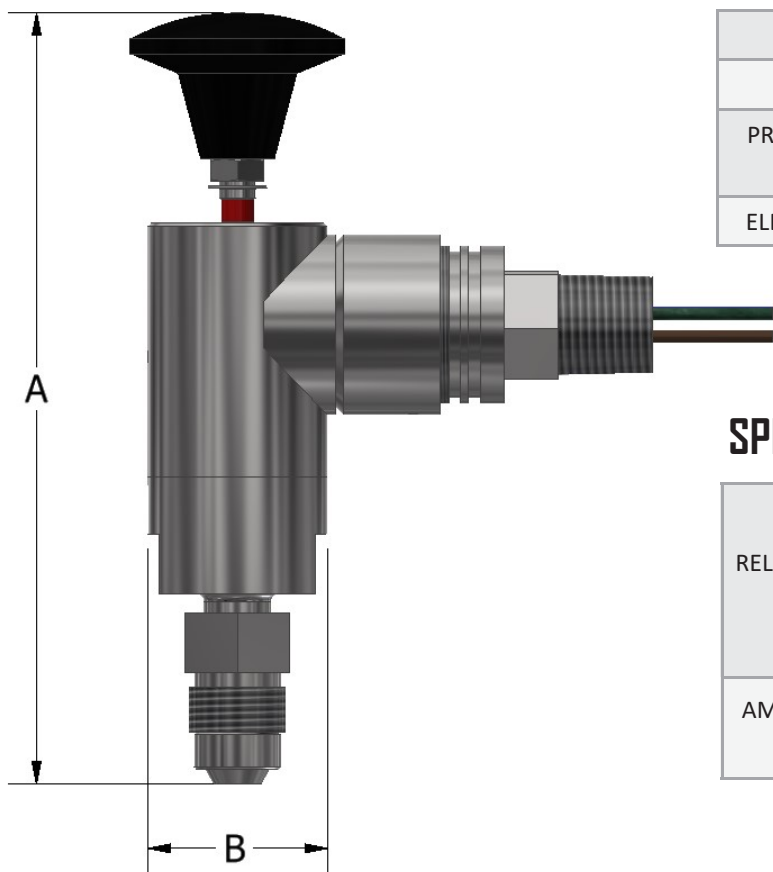
The Ruelco Electric Sand Probe Relay uses a thin wall steel probe installed directly in a flowline to detect and indicate that excessive erosion or corrosion has occurred. It utilizes a reliable hazardous location, hermitically sealed reed switch and red indication band to provide an electric signal and visual indication that the probe has lost pressure integrity. This alerts field personnel that inspection of the flowline and possible repair may be required. The electric switch can be set either normally open or normally closed depending on the electric connections used.

FEATURES

- 316 stainless steel construction meets severe service demands (Models to N.A.C.E MR0175 available)
- Will operate with flowline pressures as low as 100 psi
- Fluorocarbon O-rings are utilized for dependability
- Red Band on shaft provides visual indication that sand probe relay has operated
- Knob provided for manually testing

DIMENSIONS

A	6.37" (161.8 mm)
B	1.50" (38.1 mm)
PROCESS CONNECTION PORT	9/16" MP CONE
ELECTRIC CONNECTION	1/2" MNPT



SPECIFICATIONS

RELAY OPERATION RANGE (BASED ON PROBE)	300 PSI (20.7 BAR) MINIMUM 15,000 PSI (1035 BAR) MAXIMUM
AMBIENT TEMPERATURE RANGE	-20° TO 250° F

15,000 PSI ELECTRIC SAND PROBE RELAY

PHONE: 504-340-0055
FAX: 504-340-0056
EMAIL: SALES@RUELCO.COM

1209 DISTRIBUTORS ROW
NEW ORLEANS, LA 70123



ELECTRICAL OPERATION

LEAD	COLOR	RISING LEVEL	FALLING LEVEL
NO / NO2	BLUE / PURPLE	CLOSES	OPENS
NC / NC2	RED / BLACK	OPENS	CLOSES
C / C2	BROWN / YELLOW	COMMON LEADS	
GND	GREEN	GROUND	

ELECTRICAL SPECIFICATIONS

SPDT & DPDT SWITCH MAXIMUM VOLTAGE	250 VAC 28 VDC
SPDT & DPDT SWITCH AMPS @ MAXIMUM VOLTAGE	5 AMPS
AMBIENT TEMPERATURE RANGE	-20 TO 158° F -29 TO 70° C

ELECTRICAL CERTIFICATIONS

UNDERWRITERS LABORATORIES	CLASS I, GROUPS A,B,C,D
UNDERWRITERS LABORATORIES	CLASS II, GROUPS E,F,G
ATEX	Ex d IIC

15,000 PSI ELECTRIC SAND PROBE RELAY

PHONE: 504-340-0055
FAX: 504-340-0056
EMAIL: SALES@RUELCO.COM

1209 DISTRIBUTORS ROW
NEW ORLEANS, LA 70123



Proudly Distributed By

TRIDENT AUSTRALIA
FLUID SYSTEMS & COMPONENTS

PARTS LIST

ITEM	QUANTITY	DESCRIPTION	MATERIAL
1	1	BLACK KNOB	PHENOLIC
2	1	LOCK NUT	316 ST. STL.
3*	1	SNAP RING	316 ST. STL.
4*	1	SHAFT O-RING	FLUOROCARBON
5	1	SHAFT	316 ST. STL.
6*	1	WEAR RING	DELTRIN
7	1	VALVE BODY	316 ST. STL.
8	1	PISTON	17-4 ST. STL.
9	1	SLEEVE	17-4 ST. STL.
10	1	HIGH PRESSURE BASE	17-4 ST. STL.
11*	1	PISTON SEAL	FLUOROCARBON
12*	1	BACKUP SEAL	TEFLON
13	1	GLAND NUT	316 ST. STL.
14	1	COLLAR	316 ST. STL.
15A	1	SPDT ELECTIC SWITCH ASSEMBLY	316 ST. STL.
15B	-	DPDT ELECTRIC SWITCH ASSEMBLY	316 ST. STL.

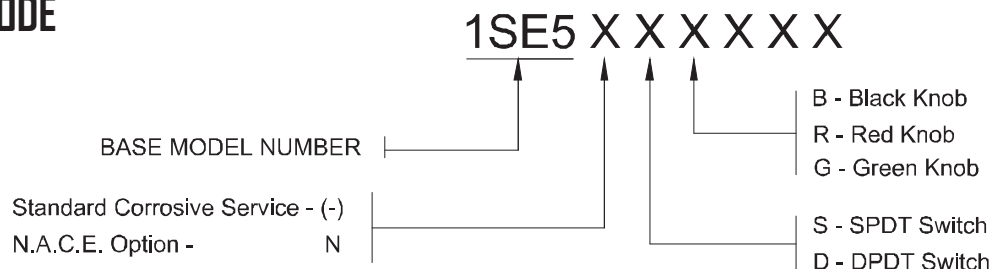
* INDICATES ITEMS IN THE REPAIR KIT

REPAIR KIT

- 1S-027-000

OTHER TEMPERATURE RANGES AND SEAL COMPOUNDS AVAILABLE UPON REQUEST

ORDERING CODE



PHONE: 504-340-0055
 FAX: 504-340-0056
 EMAIL: SALES@RUELCO.COM

1209 DISTRIBUTORS ROW
 NEW ORLEANS, LA 70123

15,0000 PSI ELECTRIC SAND PROBE RELAY